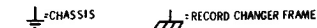
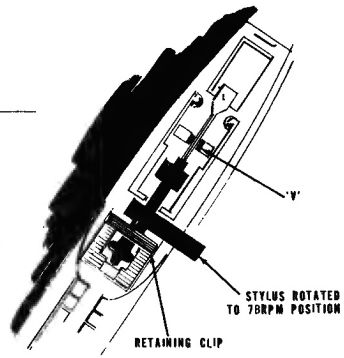
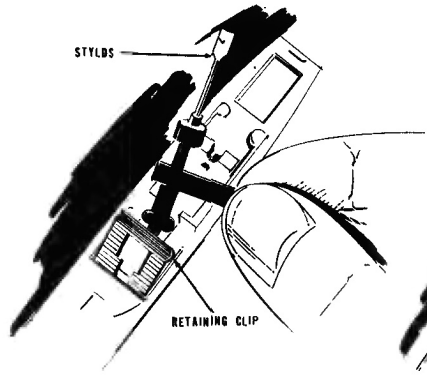


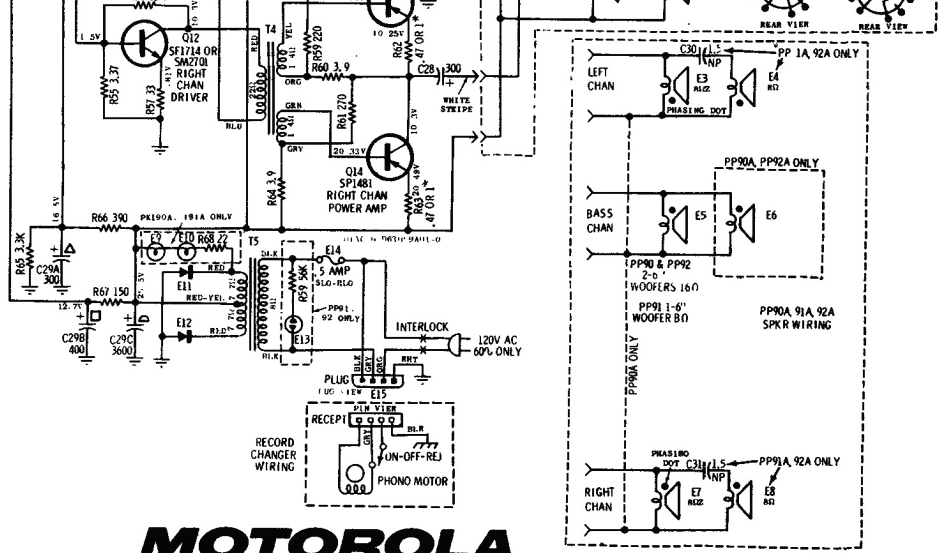
**NOTES:**  
CAPACITORS: IN MF, UNLESS OTHERWISE SPECIFIED.  
VOLTAGES: MEASURED FROM POINT INDICATED TO CHASSIS WITH VTVM  $\pm 10\%$ , NO SIGNAL IN.  
HS-1242 & 1266 CONNECTED TOGETHER.



① 620 IN SOME MODELS



**STYLUS REPLACEMENT**



# MOTOROLA

## MODELS PK190A, 191A, PP90A, 91A, 92A

## CHASSIS HS-1242, 1266